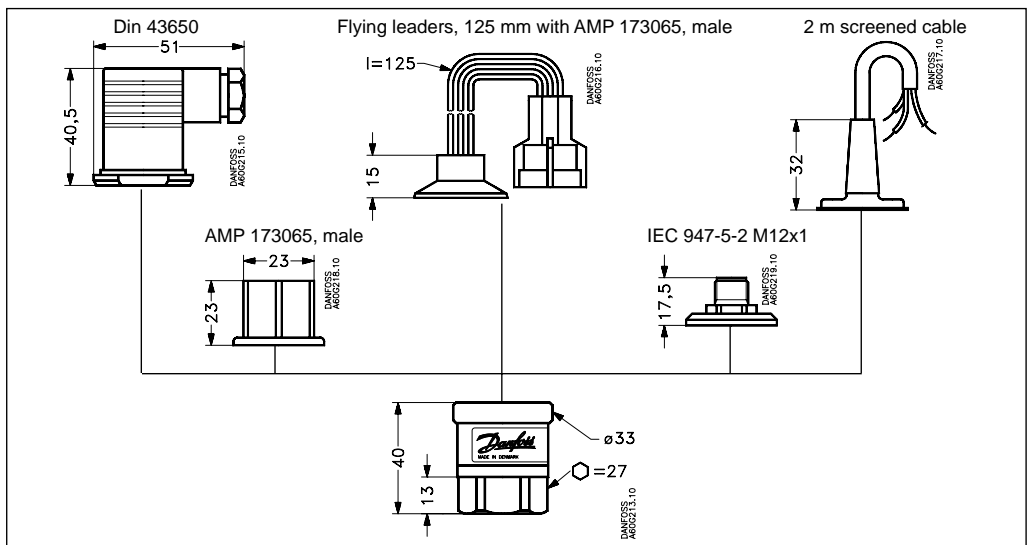


MBS 3000 pressure transmitter for industrial applications



- Designed for use in severe industrial environments
- Enclosure of acid-resistant stainless steel (AISI 316L)
- 4 - 20 mA output signal
- CE-marked: EMC protected in accordance with EU EMC Directive
- Temperature compensated and laser calibrated
- Typical applications:
 - Pumps
 - Compressors
 - Pneumatics
 - Water treatment

Dimensions



Pressure connections

<p>DIN 16288-B6kt-G 1/4 A</p> <p>DANFOSS A60G171.10</p>	<p>1/4 in. flare, 7/16-20 UNF</p> <p>DANFOSS A60G164.10</p>	<p>DIN 16288-B6kt-G 3/8 A</p> <p>DANFOSS A60G170.10</p>	<p>DIN 16288-B6kt-G 1/2 A</p> <p>DANFOSS A60G163.10</p>	<p>DIN 3852/3 M18 x 1.5 - 6g</p> <p>DANFOSS A60G167.10</p>
<p>DIN 3852-E-M22x1.5</p> <p>DANFOSS A60G166.10</p>	<p>DIN 3852-G 1/4 A</p> <p>DANFOSS A60G168.10</p>	<p>1/4-18 NPT</p> <p>DANFOSS A60G165.10</p>	<p>9/16-18 UNF-2A (SAE J514)</p> <p>DANFOSS A60G169.10</p>	

Technical data

Performance (IEC 770)

Accuracy, 3σ	$\leq \pm 1\% \text{ FS} / \leq \pm 0,5\% \text{ FS (typ.)}$
Non-linearity (Best fit straight line)	$\leq \pm 0,5\% \text{ FS}$
Hysteresis and repeatability	$\leq \pm 0,1\% \text{ FS}$
Thermal zero point shift	$\leq \pm 0,1\% \text{ FS}/10\text{K (typ.)}$ $\leq \pm 0,2\% \text{ FS}/10\text{K (max.)}$
Thermal sensitivity (span) shift	$\leq \pm 0,1\% \text{ FS}/10\text{K (typ.)}$ $\leq \pm 0,2\% \text{ FS}/10\text{K (max.)}$
Response time 10 to 90%	< 4 ms
Overload pressure	min. 2 x FS
Burst pressure	min. 4 x FS

Electrical specifications

Nominal output signal	4 to 20 mA
Supply voltage, U_B (polarity protected)	12,5 to 28 V d.c.
Voltage dependency	$\leq 0,2\% \text{ FS}/10 \text{ V}$
Current limitation	28 mA (typ.)
Load, R_L	$R_L \leq \frac{U_B - 12,5 \text{ V}}{0,02 \text{ A}} \quad [\Omega]$

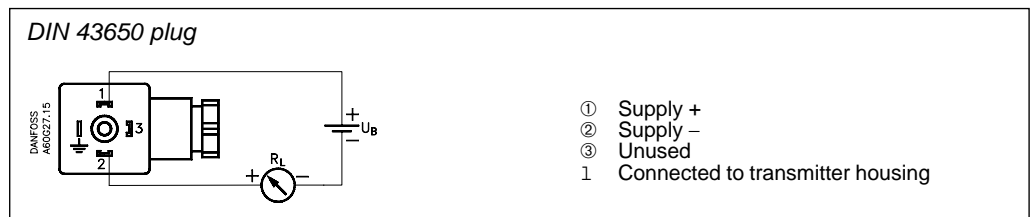
Environmental conditions

Operating temperature range	-40 to 85°C		
Compensated temperature range	0 to 80°C		
Transport temperature range	-50 to 85°C		
EMC - Emission	EN 50081-1		
EMC - Immunity	Electrostatic discharge	air 8 kV contact 4 kV	EN 50082-2 (IEC 801-2) EN 50082-2 (IEC 801-2)
	RF	field 10 V/m, 26 MHz - 1 GHz	EN 50082-2 (IEC 801-3)
		conducted 10 V _{rms} , 150 kHz - 30 MHz	EN 50082-2 (IEC 801-6)
	Transient	burst 4 kV (CM), Clamp	EN 50082-2 (IEC 801-4)
		surge 1 kV (CM,DM) at Rg = 42Ω	EN 50082-2 (IEC 801-5)
Insulation resistance		> 100 MΩ at 500 V d.c.	
Mains frequency test	500 V, 50 Hz	SEN 361503	
Vibrationsstabilitet	Sinusoidal	20 g, 25 Hz - 2 kHz	IEC 68-2-6
	Random	7,5 g _{rms} , 5 Hz - 1 kHz	IEC 68-2-34, IEC 68-2-36
Shock resistance	Shock	500 g / 1 ms	IEC 68-2-27
	Free fall		IEC 68-2-32
Enclosure	DIN 43650 stik IEC 947-5-2, M12x1 AMP 173065 2 m cable	IP 65 - IEC 529 IP 67 - IEC 529 IP 67 - IEC 529 IP 67 - IEC 529	

Mechanical characteristics

Wetted parts, material	DIN 17440-1.4404 (AISI 316L)
Enclosure material	DIN 17440-1.4404 (AISI 316L)
Weight	0,2 kg

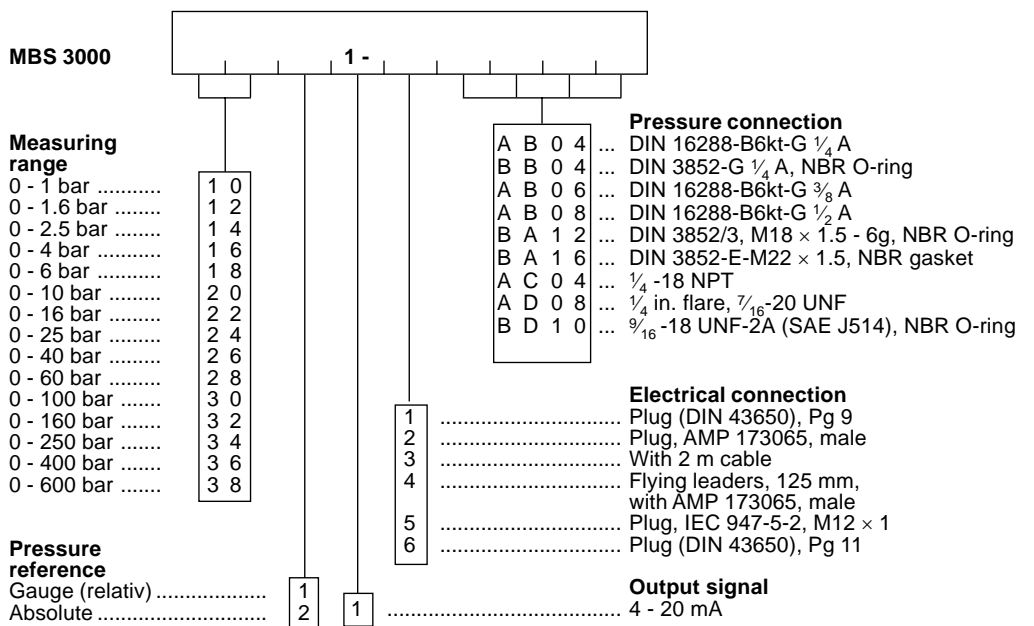
Electrical connection,
Two-wire, 4 - 20 mA

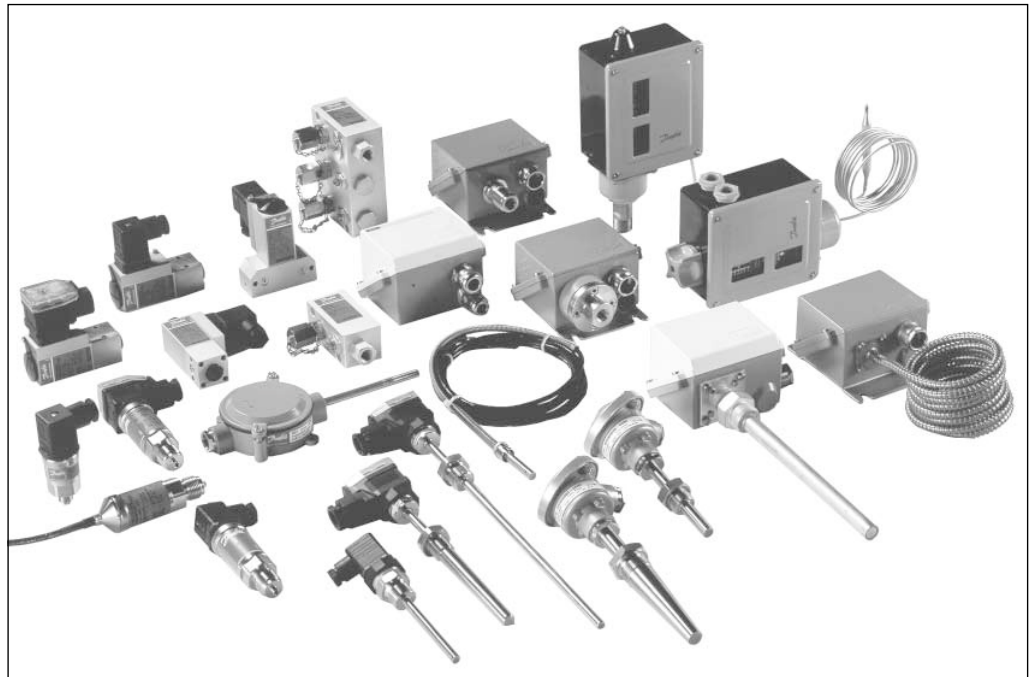


Ordering of standard
MBS 3000 with
DIN 43650 plug Pg 9

Pressure connection	Pressure range Pe	Type	Code no.
G 1/4 A ISO 228/1	0 - 1 bar	MBS 3000 1011-1 AB04	060G1113
	0 - 1.6 bar	MBS 3000 1211-1 AB04	060G1429
	0 - 2.5 bar	MBS 3000 1411-1 AB04	060G1122
	0 - 4 bar	MBS 3000 1611-1 AB04	060G1123
	0 - 6 bar	MBS 3000 1811-1 AB04	060G1124
	0 - 10 bar	MBS 3000 2011-1 AB04	060G1125
	0 - 16 bar	MBS 3000 2211-1 AB04	060G1133
	0 - 25 bar	MBS 3000 2411-1 AB04	060G1430
	0 - 40 bar	MBS 3000 2611-1 AB04	060G1105
	0 - 60 bar	MBS 3000 2811-1 AB04	060G1106
	0 - 100 bar	MBS 3000 3011-1 AB04	060G1107
	0 - 160 bar	MBS 3000 3211-1 AB04	060G1112
	0 - 250 bar	MBS 3000 3411-1 AB04	060G1111
	0 - 400 bar	MBS 3000 3611-1 AB04	060G1109
0 - 600 bar	MBS 3000 3811-1 AB04	060G1110	

Ordering of special
versions





Danfoss can accept no responsibility for possible errors in catalogues, brochures and other printed material. Danfoss reserves the right to alter its products without notice. This also applies to products already on order provided that such alterations can be made without subsequential changes being necessary in specifications already agreed. All trademarks in this material are property of the respective companies. Danfoss and the Danfoss logotype are trademarks of Danfoss A/S. All rights reserved.

DK-6430 Nordborg
Denmark